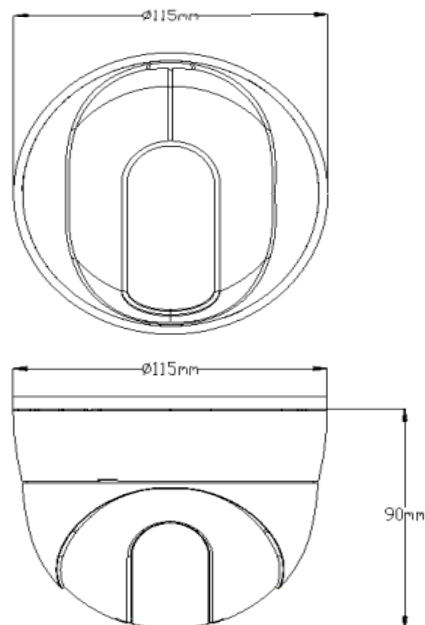




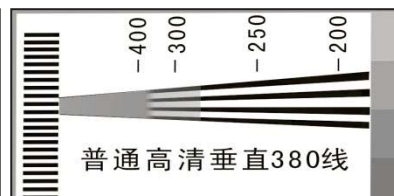
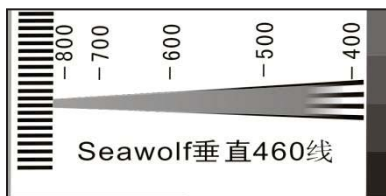
DIMENSION



FEATURES

- 1/3" WDR Pixim Seawolf Sensor
- Horizontal resolution: 690TVL, Vertical resolution: 460TVL
- Min. illumination: Color 0.1Lux, B/W 0.01lux (Slow shutter)
- Super WDR: 102dB typical, 120dB Max
- Superior color rendition, efficient image compression, video rate adjustable, PAL/NTSC optional
- Internal/external sync, freeze up, electronic slow shutter, CRR, 3DNR, DSS
- BLC, Mirror, Privacy zones, Motion detection (alarm image zoom in), no vertical smear in strong light
- OSD menu, Lightning proof, 3D adjustable bracket, DC12V

EXAMPLE



Vertical resolution of Seawolf

Vertical resolution of other
600TVL camera

Seawolf (0.1Lux)

other CCD (0.1Lux)



SPECIFICATION

Model	PS-TB20
Pick-up device	1/3" WDR Pixim Seawolf Sensor
Effective pixels	758*540
Pattern	PAL/NTSC compatible(menu optional)
Pixel size	7um*7um
Sync system	Internal/External
H/V resolution	H690TVL/V460TVL
Min illumination	Color:0.1Lux(F1.2); Slow shutter: 0.01Lux
S/N ratio	more than 50dB(AGC OFF)
Lens	3.6mm M12 lens
Electronic shutter	AUTO/OFF
WDR	High/Middle/Low/Custom
CRR	ON/OFF
BLC	ON/OFF
Exposure mode	ATM/Global/Normal/Lower1/3 /Manual
Electronic slow shutter	(64X/32X/16X/8X/4X/2X)/Off
Digital zoom	8 times
3D noise reduction	High/Low/Off
Mirror function	Horizontal/Vertical/Rotation/Off
Privacy zones	12 sets
Motion detection	4 sets
White balance	ATW/ATW PRO/PUSH LOCK/Manual
AGC	High/Middle/Low/Off
Image adjustment	Saturation/Sharpness
Image Freeze	On/Off
Day&Night	Auto/B/W/Color/EXT
Gamma	Adjustable
video rate	80-150
OSD menu	English/Chinese
Video output	1.0V p-p Composite Video Output, 75 Ohm
Power supply	DC12V+/-10%
Power consumption(Max)	200mA/DC12V
Operating temp	-10°C ~ 50°C

