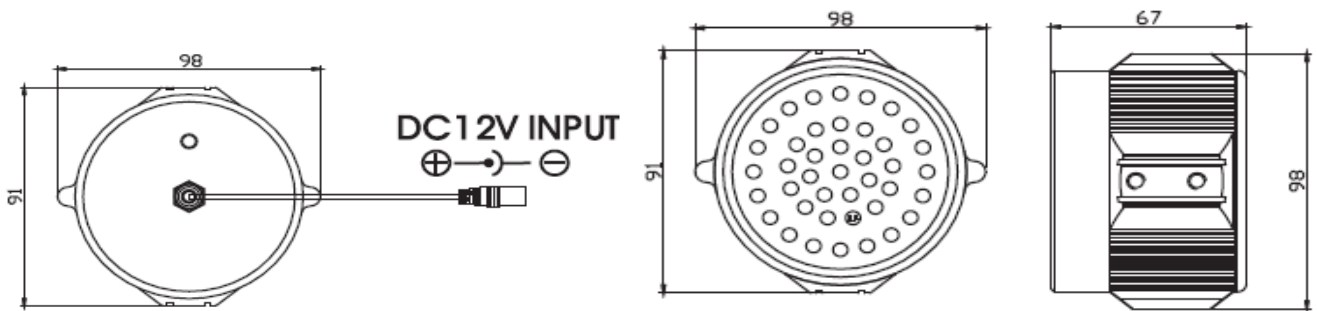


FEATURE



- ◆ IP66
- ◆ 850nm
- ◆ IR distance 30m, 60m, 80m
- ◆ Supply Voltage: DC12V



SPECIFICATION

PRODUCT NAME	PS-HZ12
IR distance	30, 60, 80 meters
IR Leds	40
Diameter	∅ 5
Wavelength	850nm
Angle	45°
Supply voltage	DC12V
Power consumption	300mA
Operation temp.	-20°C to 50°C
Dimension	Please refer to the right figure