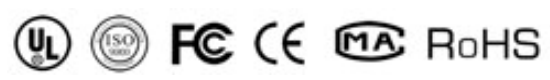


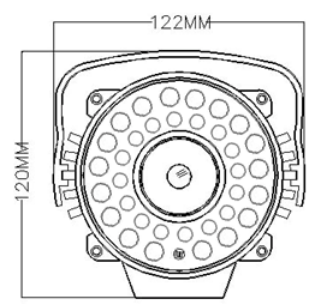
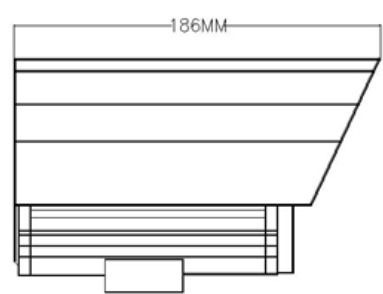
PS-HZ09-36 IR Camera



- 1/3" SONY SUPER HAD II CCD
- RESOLUTION: 480TVL
- IR LEDES: $\Phi 10 \times 18 + \Phi 8 \times 16$, IR DISTANCE: 60 ~ 80M
- DC12V



DIMENTION



SPECIFICATION

Model	PS-HZ09-36
Pick-up device	1/3" SONY Super HAD II CCD
Effective Pixels	4.9 x 3.7mm
Effective Pixels	NTSC:510x492, PAL:500x582
Sync system	Internal
Resolution	480TVL
Min. Illumination	0Lux (IR on)
S/N	More than 48dB
Electronic Shutter	NTSC:1/60~1/100,000, PAL:1/50~1/100,000
Flickerless Mode	On / Off
Lens mount	16mm CS Lens
Gamma	0.45
White Balance	Auto
AGC Gain Control	Auto
Video Output	1.0Vp-p Composite Video Output, 75ohm
IR distance	60~80m
Power Supply	DC12V
Power Consumption	200mA/900mA(IR on)
Operating Temp.	-20C ~ 50C