

PS-33HSDO

Intelligent Speed Dome Series

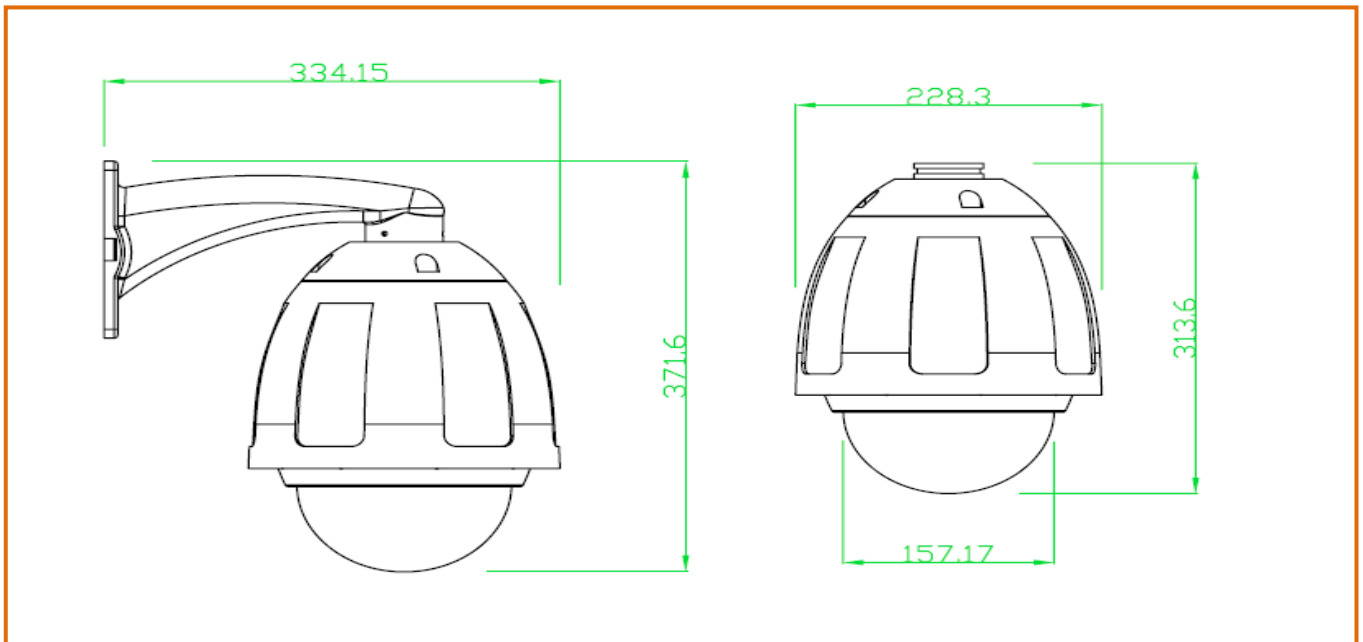


FEATURE

- ◆ Ease of installation
- ◆ Auto protocol recognition
- ◆ Tilt 90 degrees action plus 4 degrees angle adjustment
- ◆ Auto flip function with 10 degrees move up
- ◆ Manual pan speed: 0.1°to 300°/s
- ◆ Manual tilt speed: 0.1°to 120°/s
- ◆ Preset max speed: 360°/s
- ◆ SAMSUNG SDM-332 cameras module
- ◆ SONY CCD
- ◆ User and operation management
- ◆ Date and time display, task schedule and powerful alarm function
- ◆ Operation crosshair function,128 presets, 3 patterns, 6 groups
- ◆ Intelligent power off real time memory
- ◆ 33x optical zoom, 16x digital zoom , f=3.5-115.5mm
- ◆ Frozen video picture function, privacy zone and auto parking
- ◆ Built-in constant temperature system, IP66 for outdoor use
- ◆ Included AC24V/2A power supplier



DIMENSION



SPECIFICATION

Model	PS-33HSDO
Camera module	Samsung SDM-332
ZOOM	33X optical zoom, 16x digital zoom, f=3.5-115.5mm
Resolution	Color 550TVL, B/W680TVL
Illumination	Color 0.4Lux/F1.6, B/W 0.02Lux/F1.2, 0.005Lux(sens-up)
Day/Night	Yes, Auto IR cut filter
Address	0-255
Pan range	360°continue
Tilt range	0°- 90°flip
Manual speed pan	0.1-300°/Sec
Manual speed tilt	0.1-120°/Sec
Preset speed	400°/Sec
Preset accuracy	±0.10°
Preset points	128 points
Operation menu	English, chinese
Function display	Yes
Operation crosshair function	Yes
Pan and tilt position display	Yes
Privacy zones	8 programable zones
Sector label display	8 programable zones
Recall function	Yes
Operation return function	Yes
PTZ tours	3 programable(pan/tilt/zoom and each tour is up to 120seconds)
Vector scan groups	6 programable(Dwell time speed preset point)
Integrate multi-protocol	Pelco-D/Pselectable
Auto scan	With smart programable variable speed
High efficient 3-dimension scan	Yes
Long-focus speed-limited	Yes
Intelligent power off real time memory	Yes
Home position	Yes
Supporting camera	Automatically detect(Sony, Hitschi, CNB, Sanyo, LG, Hitron and Samsung)
Camera menu operation	Yes
Manual operation	Endless
IP66 for outdoor use	Yes
Humidity	0%-90%(non condensing)
Heater in operate	6°Con-14°Coff
Power	AC24V/2A
Line connection	BNC cable
Consumption	35W
Communication	RS485(+/_)
Connection	BNC cable
Operating Temp	-20°C to 60°C