

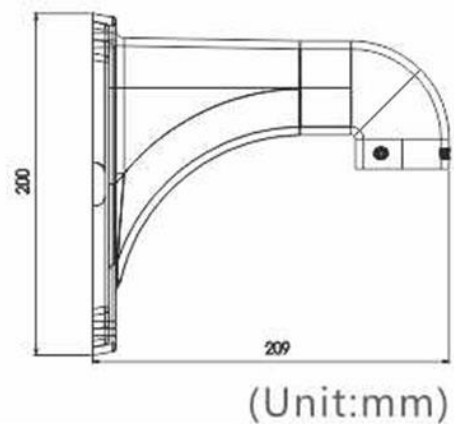
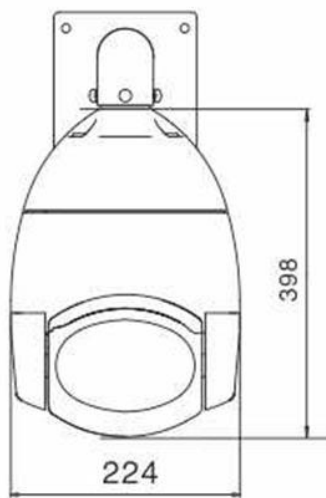
## CCTV outdoor Security PTZ speed dome camera



- 1/4 SONY CCD 700TVL
- IR Analog High speed dome PTZ camera
- RS485 Control
- Waterproof
- IP66

<b>Image Sensor</b>	1/4" Sony Super HAD CCD
<b>Signal Model</b>	PAL/NTSC
<b>Horizontal Resolution</b>	700TVL
<b>Effective Pixel</b>	P: 967(H)*494N: 960(H)*582(V)
<b>Minimum Illumination</b>	0LUX(with IR),Color to B/W,with IR-CUT function
<b>S/N Ratio</b>	≥52dB (enhanced)
<b>Backlight Compensation</b>	On/off
<b>White Balance</b>	Auto
<b>Electronic Shutter</b>	1/50 – 1/12000s
<b>Focus Length</b>	3.2-96.0mm
<b>Optical Focus</b>	30X optical zoom, 10X digital zoom total 300X
<b>Focus</b>	Auto/manual, take high-performance DSP to realize complete digital and ultra-high speed focus function
<b>Preset</b>	256
<b>Patrol Track</b>	4group, each can record 200 actions
<b>Cruise Track</b>	8 groups, every group have 30 presets can join cruise, can setting the presets residence time

<b>Other Scan</b>	4 groups, Support horizontal scan, deuce area scan, scan random
<b>Rotation Range</b>	Horizontal 360° unlimited rotation, vertical 90°, auto reversal
<b>Rotation Speed</b>	Horizontal & Vertical Min 0.01°, Max 200°/s
<b>Communications</b>	RS-485, PELCO D, PELCO P
<b>OSD</b>	Full-screen Chinese/English menu
<b>Special function</b>	AWB, MASK, DNR, Strong light optimizer, Mirror
<b>Temperature control</b>	Built-in
<b>Intelligent IR lamps</b>	150 meters
<b>Power Supply</b>	DC12V/4A
<b>Material</b>	Aluminum shell, waterproof, IP66
<b>Work Environment</b>	-200°~+50°(temperature-control system is optional), <95%RH



(Unit:mm)