



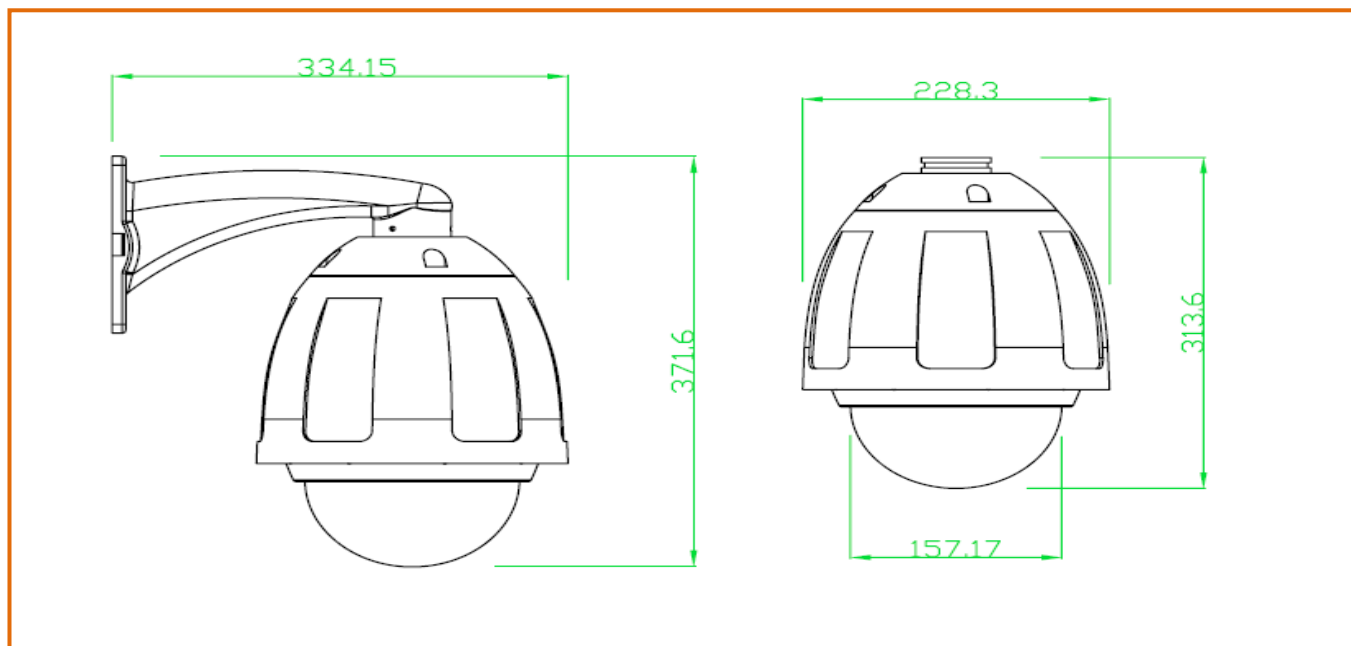
### FEATURE

- Ease of installation
- Auto protocol recognition
- Tilt 90 degrees action plus 4 degrees angle adjustment
- Auto flip function with 10 degrees move up
- Manual pan speed: 0.1°to 300°/s
- Manual tilt speed: 0.1°to 120°/s
- Preset max speed: 360°/s
- Compatible cameras include: SAMSUNG SDM-322
- User and operation management



RoHS

### DIMENSIONS



### SPECIFICATION

<b>Model</b>	<b>PS-27HSDO</b>
<b>Pick-up device</b>	1/4" SONY CCD
<b>Effective pixels</b>	NTSC:768x494,PAL:752x582
<b>Resolution</b>	Color: 550 TVL, B/W: 680 TVL
<b>Min.illumination</b>	0.4Lux/F1.6(color) , 0.02Lux/F1.6 (B/W)
<b>Zoom</b>	33X optical zoom, 16x digital zoom, f=3.5 -94.5mm
<b>SSNR</b>	Low/middle/high/off optional
<b>Scanning system</b>	2 : 1 interlacing scan
<b>Sync system</b>	Internal
<b>Electronic shutter</b>	Auto/ anti-flicker/ manual (1/50s - 1/100,000s)
<b>Menu</b>	Built-in OSD menu
<b>Preset position</b>	128
<b>Privacy zone</b>	On/off(8 areas)
<b>Mirror function</b>	On/off
<b>Motion detection</b>	On/off
<b>AG control</b>	Low/middle/high/manual/off optional
<b>White balance</b>	Auto/ATW/ manual/indoor/outdoor
<b>S/N ratio</b>	More than 50dB
<b>Day&amp;Night</b>	Color, B/W, Auto
<b>Video output</b>	CVBS : 1.0Vp-p/75Ω
<b>Address</b>	0-255
<b>Pan range</b>	360°continue
<b>Tilt range</b>	0°- 90°flip
<b>Manual speed pan</b>	0.1-300°/Sec
<b>Manual speed tilt</b>	0.1-120°/Sec
<b>Preset speed</b>	360°/Sec
<b>Preset accuracy</b>	±0.10°
<b>Preset points</b>	128 points
<b>Operation Menu</b>	English
<b>Function Display</b>	Yes
<b>Operation crosshair function</b>	Yes
<b>Pan and tilt position display</b>	Yes
<b>Privacy zones</b>	8 programable zones
<b>Sector label display</b>	8 programable zones
<b>Recall function</b>	Yes
<b>Operation return function</b>	Yes
<b>PTZ tours</b>	3 programable(pan/tilt/zoom and each tour is up to 120seconds)
<b>Vector scan groups</b>	6 programable(Dwell time speed preset point)
<b>Integrate multi-protocol</b>	Pelco-D/Pselectable
<b>Auto scan</b>	With smart programable variable speed
<b>High efficient 3-dimension scan</b>	Yes
<b>Long-focus speed-limited</b>	Yes
<b>Intelligent power off real time memory</b>	Yes
<b>Home position</b>	Yes
<b>Camera menu operation</b>	Yes
<b>Manual operation</b>	Endless
<b>IP66 for outdoor use</b>	Yes
<b>Humidity</b>	0%-90%(non condensing)
<b>Heater in operate</b>	6°C on-14°C off
<b>Power</b>	AC24V/2A
<b>Line connection</b>	BNC cable
<b>Consumption</b>	35W
<b>Communication</b>	RS485(+/_)
<b>Connection</b>	BNC cable
<b>Operating Temp</b>	-20°C to 60°C