

Vandal-proof Speed Dome Camera



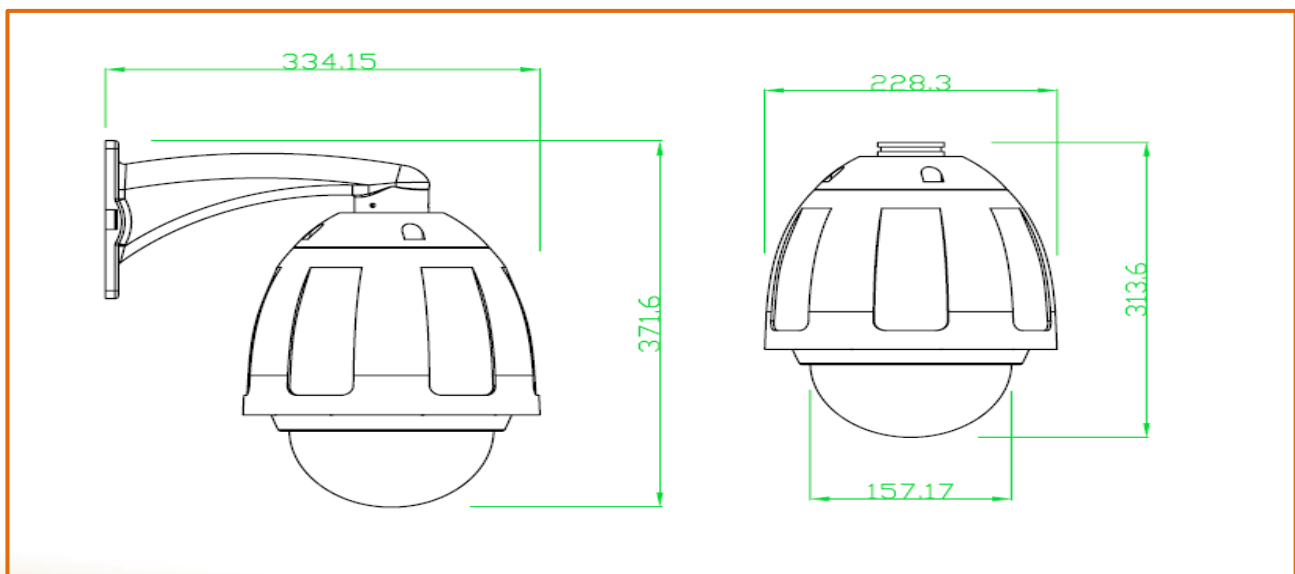
ISO 9000 FC CE MA RoHS

FEATURE

- ◆ Compact structure, high reliability
- ◆ Horizontal 360° continuous rotation, vertical 90° automatic flip
- ◆ Manual operation speed: 0.05-180°/S, Preset speed: 360°/S
- ◆ Built-in multi-language OSD menu and password protection
- ◆ 4 channel alarm input, 2 channel alarm output
- ◆ 128 presets, 4 patterns, 1 sector scan, 1 cruise
- ◆ Auto match protocol
- ◆ Rotation speed automatically match the lens zooming status
- ◆ Time Task: Auto activation of Preset/Scan/Tour/Pattern by pre-set time
- ◆ Power up action: Auto restore to previous PTZ & Lens status after power up
- ◆ Horizontal upwards 4°Blind area adjustable
- ◆ User Management, date&time display and set, task plan and strong alarm function
- ◆ Idle Motion: Activation of Preset/Scan/Tour/Pattern after idle time
- ◆ Support both hard address and soft address
- ◆ outdoor camera, IP66



DIMENSIONS



SPECIFICATION

Model	PS-23HSDOB
Pick-up device	1/4" SONY CCD
Effective pixels	NTSC:768x494,PAL:752x582
Resolution	Color: 560 TVL, B/W: 680 TVL
Min.illumination	0.2Lux/F1.6(color) , 0.002Lux/F1.6 (Sens-up)
Lens	23X optical zoom. 16X D-zoom, f=3.5-80.5mm
SSNR	Low/middle/high/off optional
Scanning system	2 : 1 interlacing scan
Sync system	Internal
Electronic shutter	Auto/ anti-flicker/ manual (1/50s - 1/100,000s)
Menu	Built-in OSD menu
Preset position	128
Privacy zone	On/off(8 areas)
Mirror function	On/off
Motion detection	On/off
AG control	Low/middle/high/manual/off optional
White balance	Auto/ATW/ manual/indoor/outdoor
S/N ratio	More than 50dB
Day&Night	Color, B/W, Auto
Video output	CVBS : 1.0Vp-p/75Ω
Address	0~255
Horizontal	360°continuous rotation
Vertical	0°~90° auto flip
Manual operation speed	360°/s
Call preset speed	±0.05°
Preset	128
Operating menu	English
Password protection	Yes
Alarm I/O	4 CH input, 2 CH output
Home position	Yes
Privacy masking	8 editable areas
Sector scan	1 set
Cruise	1set
Adaptive protocol control	Yes
Editable vector trajectory	6 (Scan speed, dwell time, preset, inserts between trajectories, vector scan and pattern trajectories)
Pattern scan	3 sets (100 motion /set)
Adaptive baud rate	Yes
RS-485	Auto recognition
Long-focus speed-limited	Yes
Intelligent power off real time memory	Yes
Time task	Yes
Idle motion	Yes
Soft address code	Yes
IP66 water proof	Yes
Humidity	0%~90%(non condensing)
Heater&fan	Yes
Power supply	AC24V/2A
Power consumption	35W
Operating temp	-20°C~50°C