

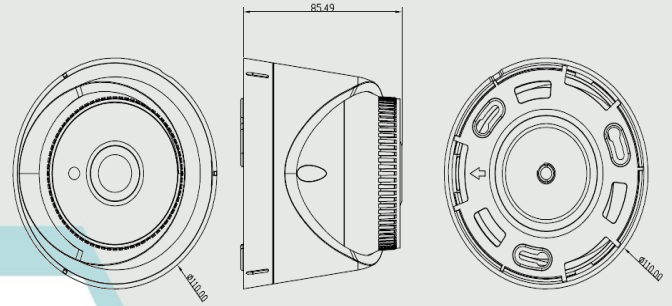


PS-D4689AQHD

4MP AHD 1/2.8" OV CMOS IR DOME CAMERA



Dimension



Key Features

- AHD & CVBS BNC interface, Support Over 200m via 75Ω coaxial cable
- QHD 2560x1440pixels High definition video
- Support Day/Night (ICR)
- 3D-DNR and superior performance of low illumination
- 30M IR range

SPECIFICATION

Model No	PS-D4689AQHD
Solution	NVP2475H+OV4689
image sensor	1/3" OmniVision CMOS Sensor OV4689
Signal System	PAL/NTSC
Effective Pixel Array	2560 (H) *1440 (V)
Horizontal Resolution	1500TVL
IR Led	36pcs IR Leds
IR Distance	Up to 30m
Lens	Fix lens 3.6mm
S/N Ratio	More than 60 dB
Power Supply	12 VDC±15%
Min. Illumination	0.01 Lux @ (F1.2,AGC ON),0 Lux with IR
Electronic Exposure	1/25(1/30) s to 1/50,000 s
AGC	Auto
White Balance	AWB/AWC
BLC	BLC/HLC/OFF
Video Output	1 Analog HD output
IR Wave Length	850nm
IR LED Auto Switch	Day/Night, On/Off
Camera stand	Wall
Power Consumption	Max 1w
Waterproof Rate	Ip66
Operating Temperature	(-10 ~ 60 °C) RH 95%Max