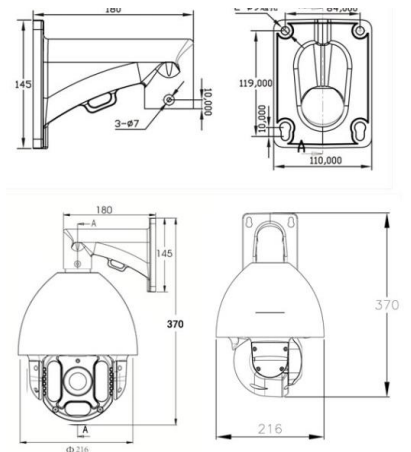
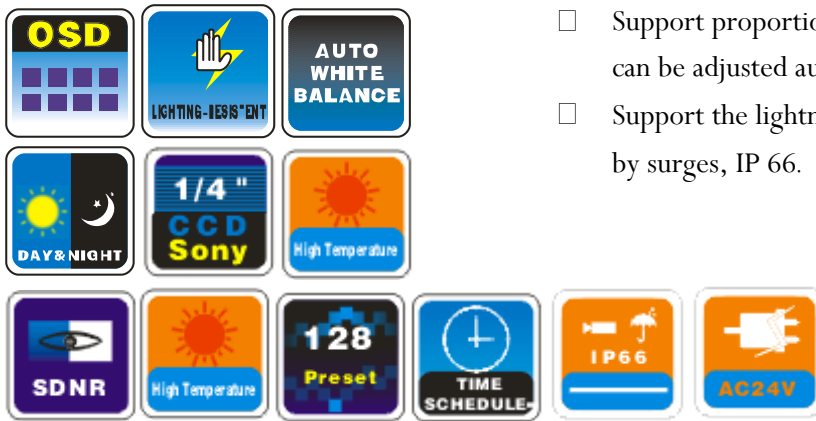




FEATURE

- 6pcs top quality Array LED, 2pcs Long distance Laser Led, IR distance 200m
- Infrared light and power distance matching algorithm, based on the rate and distance adjusting lamp brightness and angle, make the image to achieve the ideal state.
- Using 1/3 inch progressive scanning CMOS Chip, Max support 1280*720@30FPS real-time video output, Support 20X Optical Zoom.
- Support HD Video signals and control signals coaxial transmission, more than 500 meters transmission distance through coaxial cable.
- Precision motor drive, sensitive response, smooth operation, accuracy error is less than 0.1 degrees, image no jitter at any speed.
- Support proportion variable zoom function, rotation speed can be adjusted automatically according to the lens zoom.
- Support the lightning protection, anti-surge, anti-stressed by surges, IP 66.

DIMENSIONS



SPECIFICATION

Model	PS-20IRHSDOAHD
Video Format	AHD
Image Sensor	1/3" CMOS
Effective Pixels	1280×720
Minimum illumination	Color: 0.05Lux, B/W: 0.01Lux, 0 Lux with IR ON
3D Noise Reduction	Support
WDR	Support
Electronic Shutte	1/50s—1/1000s, AUTO
Day/Night Mode	Automatic ICR color to black
Defog	Support
Strong Light Inhibition	Support
Focus	4.7-94mm, 20X optical zoom
Speed	Horizontal: 240°/s, Vertical: 180°/s
Preset	128
Cruise scanning	4 pcs, Each Cruise support add 16 presets
Power-cut memory restore	Support
Standby function	Preset/ Cruise Scanning/ Zone scanning
IR distance	150m
OSD	English/Chinese
Power Supply	DC12V, 50W max(IR led 15W max, heater 5W max)
Working temperature and humidity	-20°C~60°C(outdoor), humidity≤90%
Protection grade	Support the lightning protection, anti-surge, anti-stressed by surges, IP 66
Installation	Wall mounted or ceiling installation
Weight	4.7kg
Model	PS-20IRHSDOAHD