

User's Manual for LED Wireless Two-Way Keypad

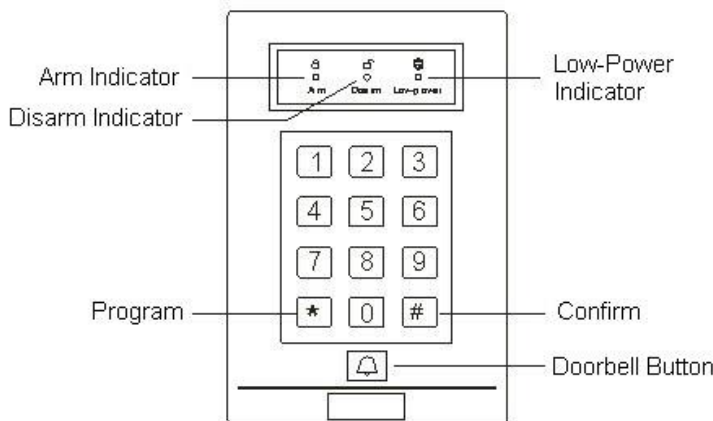
I. Function Features:

1. LED lights display, microcomputer intelligent control, stable performance.
2. Works with alarm hosts to arm (away) and disarm by password.
3. Displays the arm/disarm status simultaneously with the alarm host.
4. AV-DC dual-use, high capacity Li-ion battery included; automatically switches to backup battery power supply mode when power-cut; Automatic data saving when power off; low power alert.

II. Technical parameter:

1. Operating power: 12VDC
2. Operating current: standby current: <10uA
emitting current: <20mA
3. Working condition: Temperature: -10~50℃
Humidity: <97%
4. Backup battery: Li-battery
(3.7V / 800mAH, rechargeable)
5. Dimension: 138x88x22 (mm)

III. Product Preview:



Front Side

Instructions of LED indication:

1. "Arm Indicator": Lights on when armed (away) and then off automatically after 8 seconds.
2. "Disarm Indicator": Lights on when disarmed and then off automatically after 8 seconds.
3. "Low-Power Indicator": Flashes when low-power and then off automatically after 8 seconds.
4. Program key: Pressing the program key to start the wireless keypad. After pressing this key:
Arm Indicator on indicates the alarm host is in the status of "Armed",
Disarm Indicator on indicates the alarm host is in the status of "Disarmed",